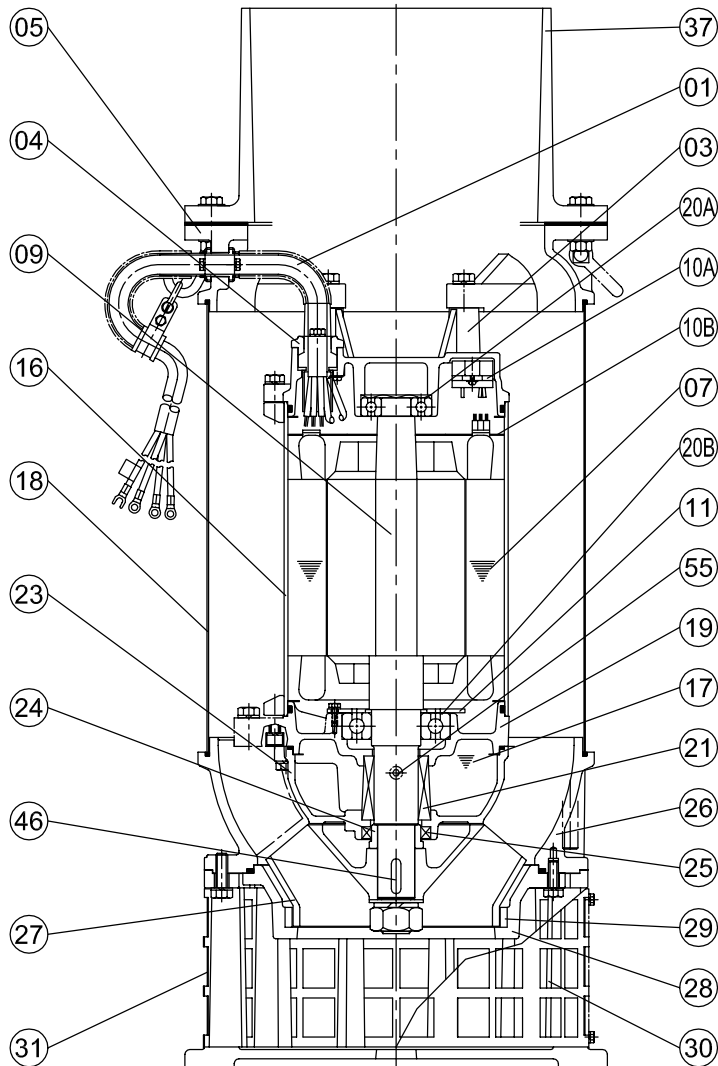


MODEL: L-300A;L-1220



No.	Part name	Material	QTY	Remark
01	Cable	VCT	1	
03	Upper cover	Bronze	1	
04	Cable base cover	BC6	1	
05	Outlet disk	BC6	1	
07	Stator		1	
09	Shaft(with Rotor)	SUS420J2	1	
10A	Auto-cut		1	
10B	Auto-cut plate		1	
11	Bearing fixer	SS41	1	
16	Motor frame	SUS304	1	
17	Lubricant	Turbine oil #32	1	
18	Out cover	SUS304	1	
19	Bearing bracket	BC6	1	
20A	Upper bearing		1	
20B	Lower bearing		1	
21	M. seal	CA VS CE	1	

No.	Part name	Material	QTY	Remark
23	M. seal bracket	BC6	1	
24	Oil seal bush	SUS304	1	
25	Oil seal	NBR	1	
26	Casing	FC-200	1	
27	Impeller	Bronze	1	
28	Casing cover	FC-200	1	
29	Impeller bush		1	
30	Footing	FC-200	1	
31	Strainer	SUS304	1	
37	Bend outlet	FC-200	1	
46	Impeller key	SUS304	1	
47	Packing (1 set)		1	
55	Oil plug	SUS304	1	