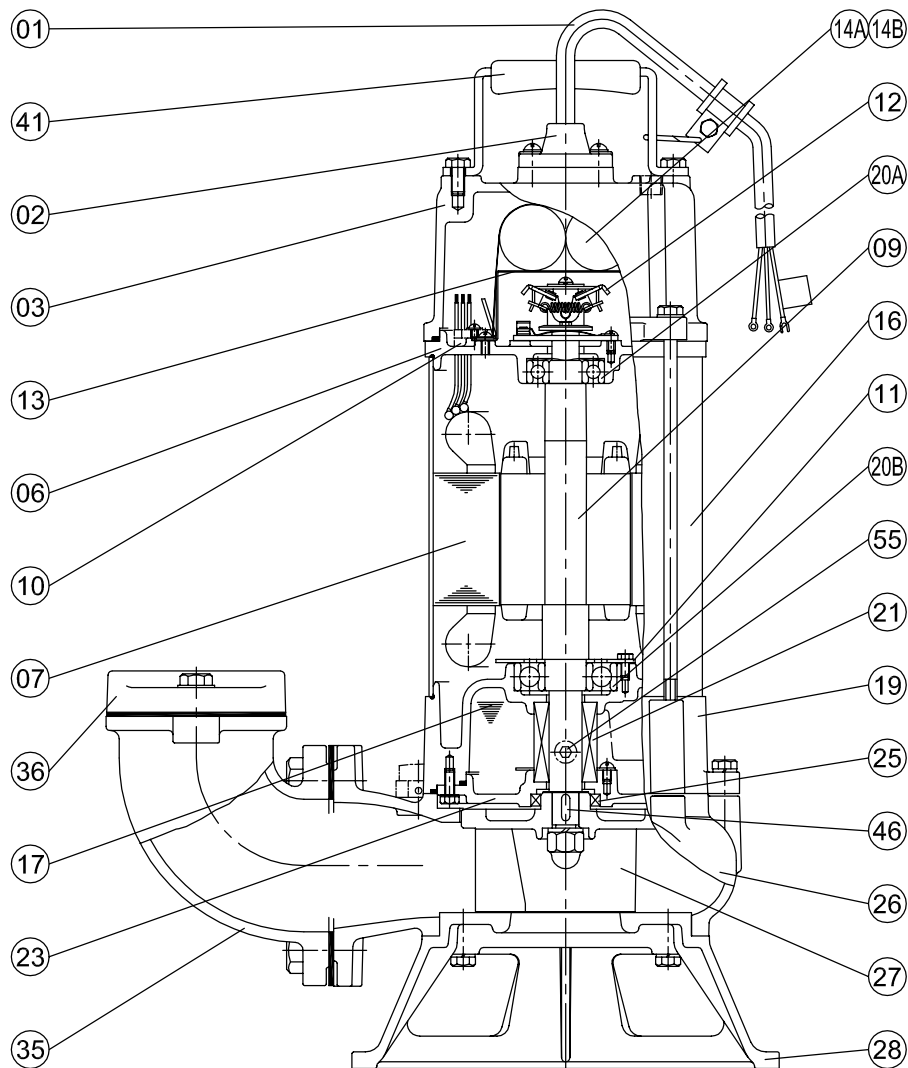


MODEL: F-32TP;F-33P 1Ø



| No. | Part name | Material | QTY | Remark |
|-----|--------------------------|-----------------|-----|--------|
| 01 | Cable | VCT | 1 | |
| 02 | Cable base | PC+PBT | 1 | |
| 03 | Upper cover | FC-200 | 1 | |
| 06 | Bracket | FC-200 | 1 | |
| 07 | Stator | | 1 | |
| 09 | Shaft(with Rotor) | SUS403 | 1 | |
| 10 | Auto-cut | | 1 | * |
| 11 | Bearing fixer | SS41 | 1 | |
| 12 | Centrifugal switch | | 1 | |
| 13 | Centrifugal switch cover | | 1 | |
| 14A | Capacitor | | 1 | |
| 14B | Start capacitor | | 1 | |
| 16 | Motor frame | SUS304 | 1 | |
| 17 | Lubricant | Turbine oil #32 | 1 | |
| 19 | Bearing bracket | FC-200 | 1 | |
| 20A | Upper bearing | | 1 | |

| No. | Part name | Material | QTY | Remark |
|-----|-----------------|----------|-----|--------|
| 20B | Lower bearing | | 1 | |
| 21 | M. seal | CA VS CE | 1 | |
| 23 | M. seal bracket | FC-200 | 1 | |
| 25 | Oil seal | NBR | 1 | |
| 26 | Casing | FC-200 | 1 | |
| 27 | Impeller | FC-200 | 1 | |
| 28 | Casing cover | FCD450 | 1 | |
| 35 | Coupling | FC-200 | 1 | |
| 36 | Flange | FC-200 | 1 | |
| 41 | Handle | SS41 | 1 | |
| 46 | Impeller key | SUS304 | 1 | |
| 47 | Packing (1 set) | | 1 | |
| 55 | Oil plug | SUS304 | 1 | |
| | | | | |
| | | | | |
| | | | | |

*Auto-cut for F-33P 1Ø is unobtainable now.