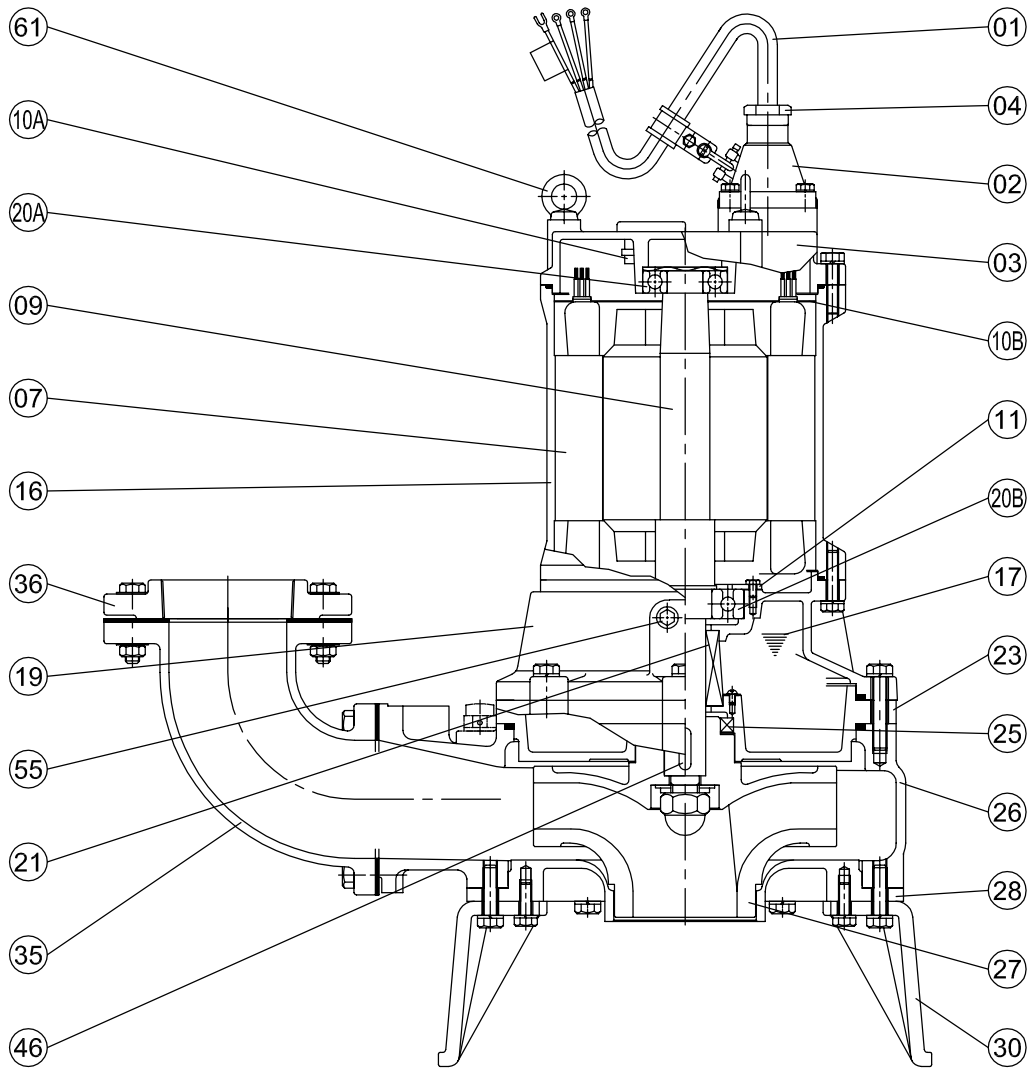


MODEL: AF-55E;AF-75E



No.	Part name	Material	QTY	Remark
01	Cable	HVCT	1	
02	Cable base	FCD450	1	
03	Upper cover	FC-200	1	
04	Cable base cover	S40C	1	
07	Stator		1	
09	Shaft(with Rotor)	SUS420J2	1	
10A	Auto-cut		1	
10B	Auto-cut plate		1	
11	Bearing fixer	SS41	1	
16	Motor frame	FC-200	1	
17	Lubricant	Turbine oil #32	1	
19	Bearing bracket	FC-200	1	
20A	Upper bearing		1	
20B	Lower bearing		1	
21	M. seal	CA VS CE SIC VS SIC	1	

No.	Part name	Material	QTY	Remark
23	M. seal bracket	FC-200	1	
25	Oil seal	NBR	1	
26	Casing	FC-200	1	
27	Impeller	FCD450	1	
28	Casing cover	FC-200	1	
30	Footing	FCD450	3	
35	Coupling	FC-200	1	
36	Flange	FC-200	1	
46	Impeller key	SUS304	1	
47	Packing (1 set)		1	
55	Oil plug	SUS304	2	
61	S.T. chain (Eye bolt)	SUS304	3	