

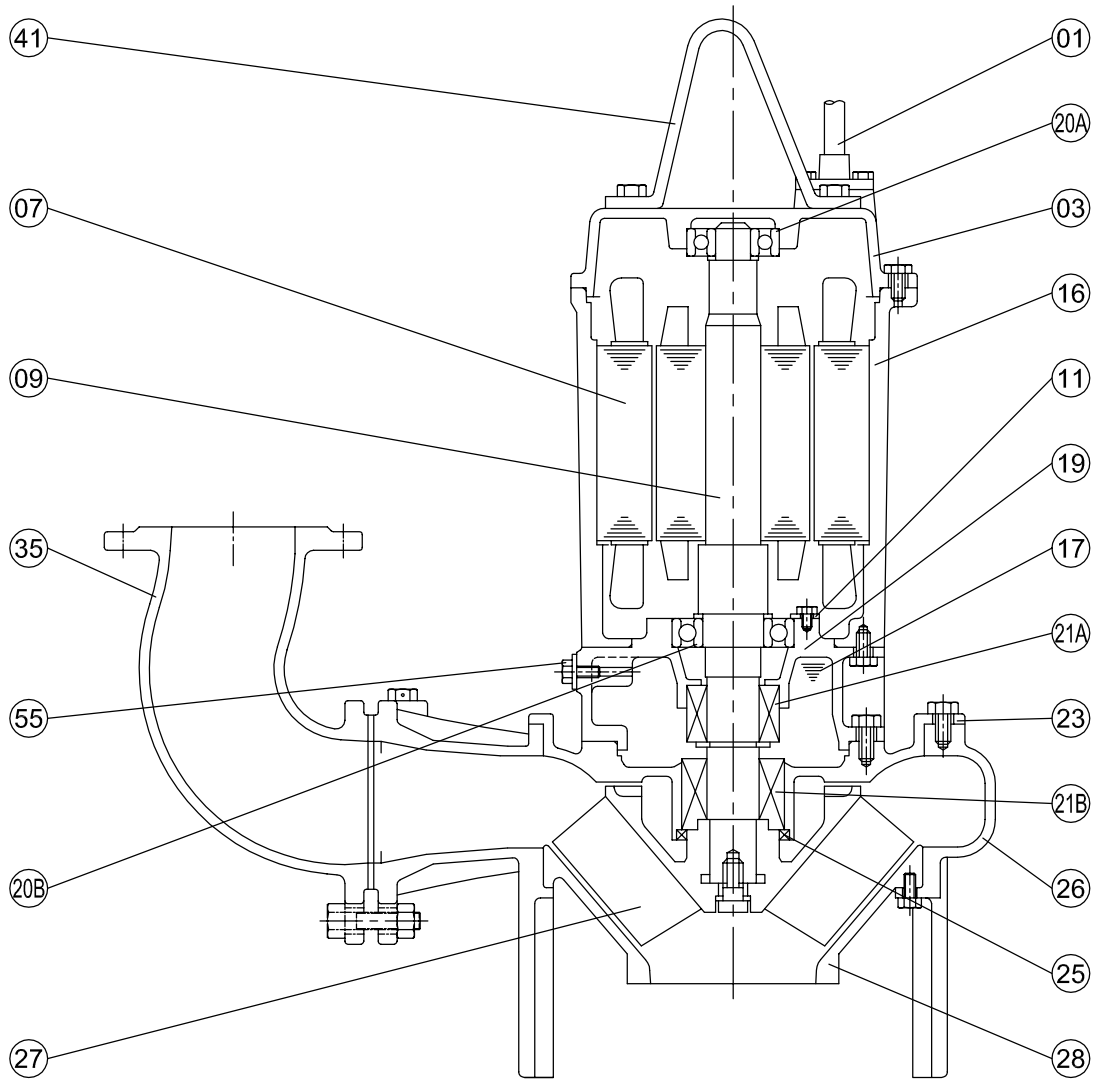
HCP PUMP

SECTIONAL DRAWING

No.:ESE-AF830

Date:2003-07

MODEL: AF-830;AF-840(60Hz);AF-1030;AF-1230



No.	Part name	Material	QTY	Remark
01	Cable	2PNCT	1	
03	Upper cover	FC-150	1	
07	Stator		1	
09	Shaft(with Rotor)	SUS403	1	
11	Bearing fixer	FC-200	1	
16	Motor frame	FC-150	1	
17	Lubricant	Turbine oil #32	1	
19	Bearing bracket	FC-150	1	
20A	Upper bearing		1	
20B	Lower bearing		1	
21A	Upper M. seal	SIC VS SIC SIC VS SIC	1	

No.	Part name	Material	QTY	Remark
21B	Lower M. seal	SIC VS SIC SIC VS SIC	1	
23	M. seal bracket	FC-200	1	
25	Oil seal	NBR	1	
26	Casing	FC-200	1	
27	Impeller	FC-200	1	
35	Coupling	FC-200	1	
41	Handle	SS41	1	
47	Packing (1 set)		1	
55	Oil plug	SUS304	1	