

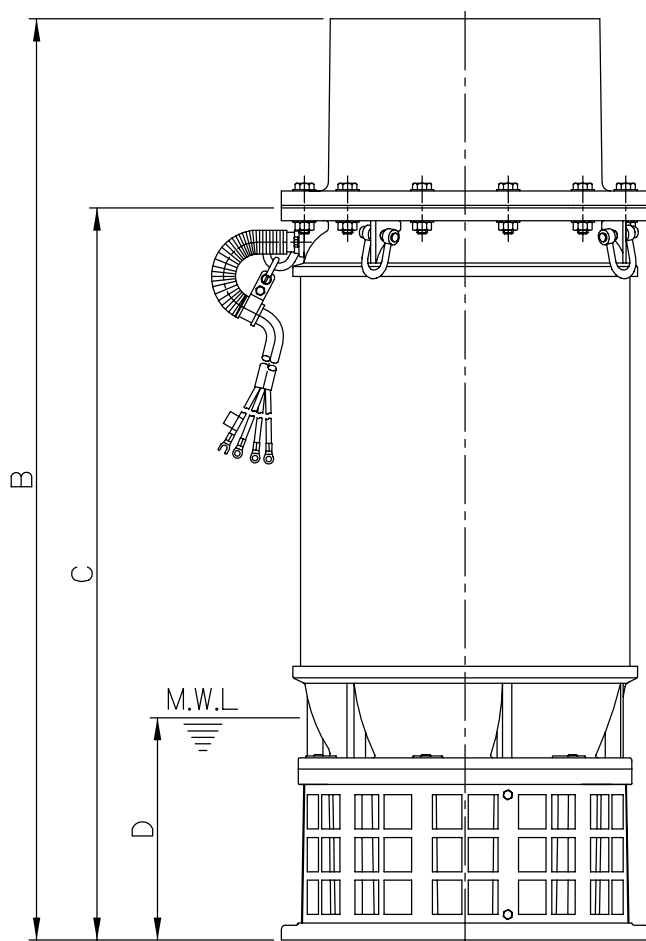
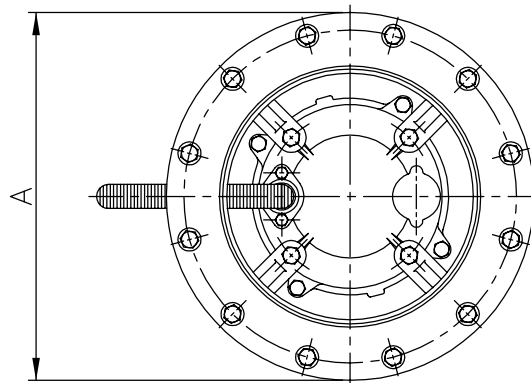
HCP PUMP

DIMENSIONAL DRAWING

No:DE-L300A3

Date:2003-07

MODEL:L-300A;L-1220



TYPE	A	B	C	D
L-300A	430	1077	856	260
L-1220	430	1080	888	260

M.W.L: Minimun water level