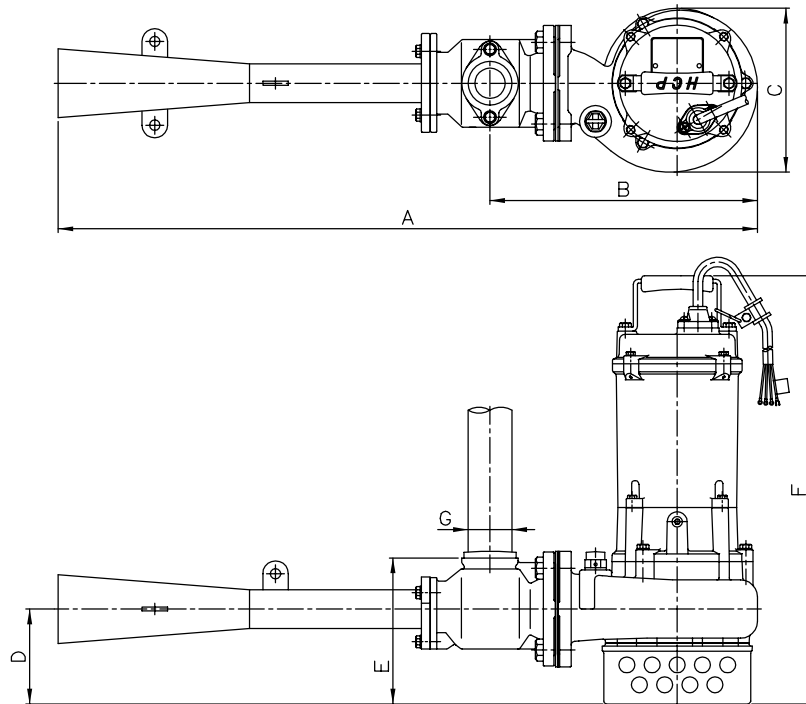


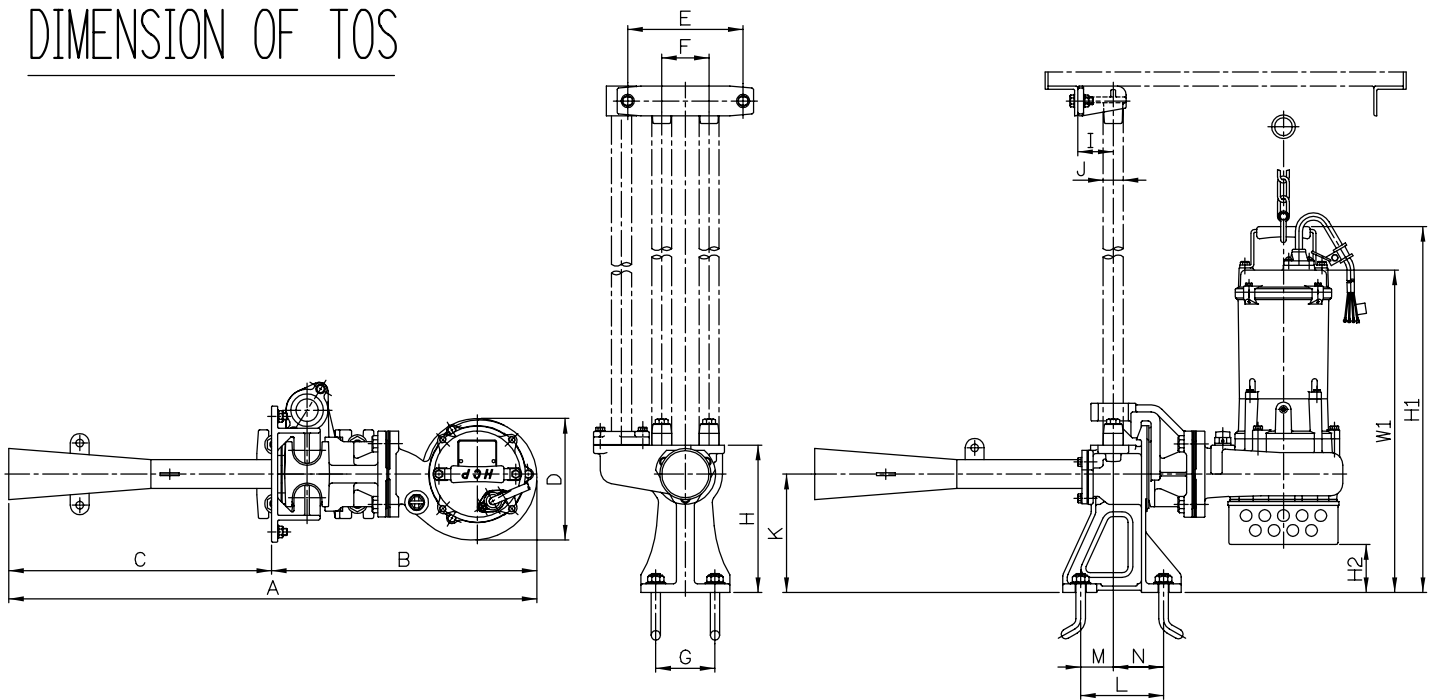
MODEL: JP-15;JP-33A;JP-22;JP-37;JP-55

DIMENSION OF JET PUMP



Type	A	B	C	D	E	F	G
JP-15	870	330	206	120	175	533	1 1/4"
JP-33A	870	330	206	120	175	553	1 1/4"
JP-22	1150	470	321	218	318	880	2"
JP-37	1150	470	321	239	329	970	2"
JP-55	1234	554	385	234	334	1002	2"

DIMENSION OF TOS



Type	A	B	C	D	E	F	G	H	I	J	K	L	M	N	W1	H1	H2
JP-15	893	449	444	206	195	80	100	249	60	1 1/4"	200	140	55	85	545	618	81
JP-33A	893	449	444	206	195	80	100	249	60	1 1/4"	200	140	55	85	565	638	81
JP-22	1180	529	551	321	250	100	160	388	90	2"	330	170	65	105	750	798	126
JP-37	1180	629	551	321	250	100	160	388	90	2"	330	170	65	105	795	887	117
JP-55	1264	713	551	385	250	100	160	388	90	2"	330	170	65	105	802	915	117