

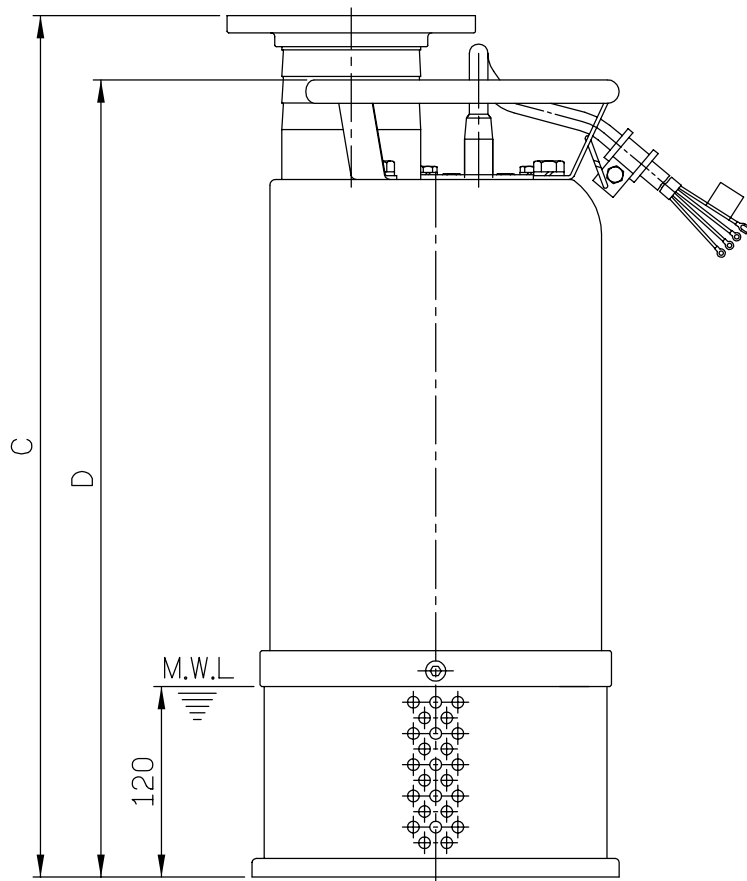
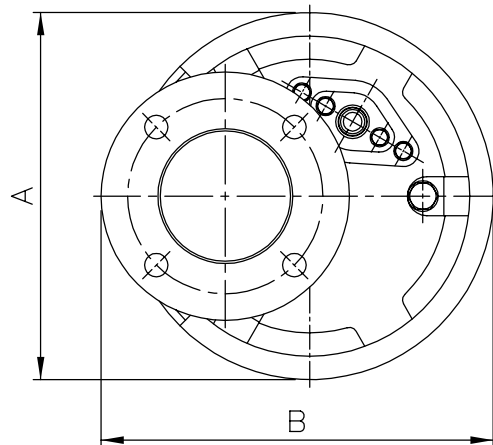
HCP PUMP

DIMENSIONAL DRAWING

No:DE-IC43A

Date:2003-07

MODEL: IC-32A;IC-33A;IC-43A;IC-45



| TYPE   | A   | B   | C        | D        |
|--------|-----|-----|----------|----------|
| IC-32A | 238 | 252 | 536(616) | 495(575) |
| IC-33A | 238 | 252 | 536(616) | 495(575) |
| IC-43A | 238 | 262 | 536(616) | 495(575) |
| IC-45  | 238 | 262 | 561      | 515      |

M.W.L: Minimun water level  
 Remark: ( )Dimensions in 1Ø