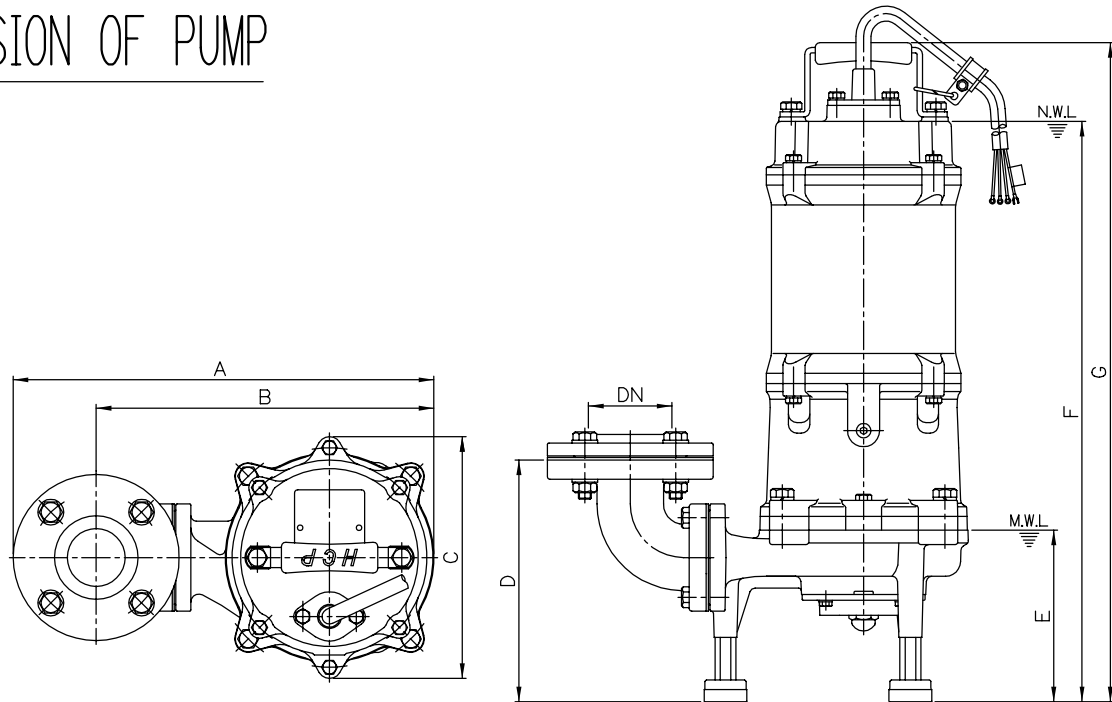


MODEL:50GF22.2;50GF23.7

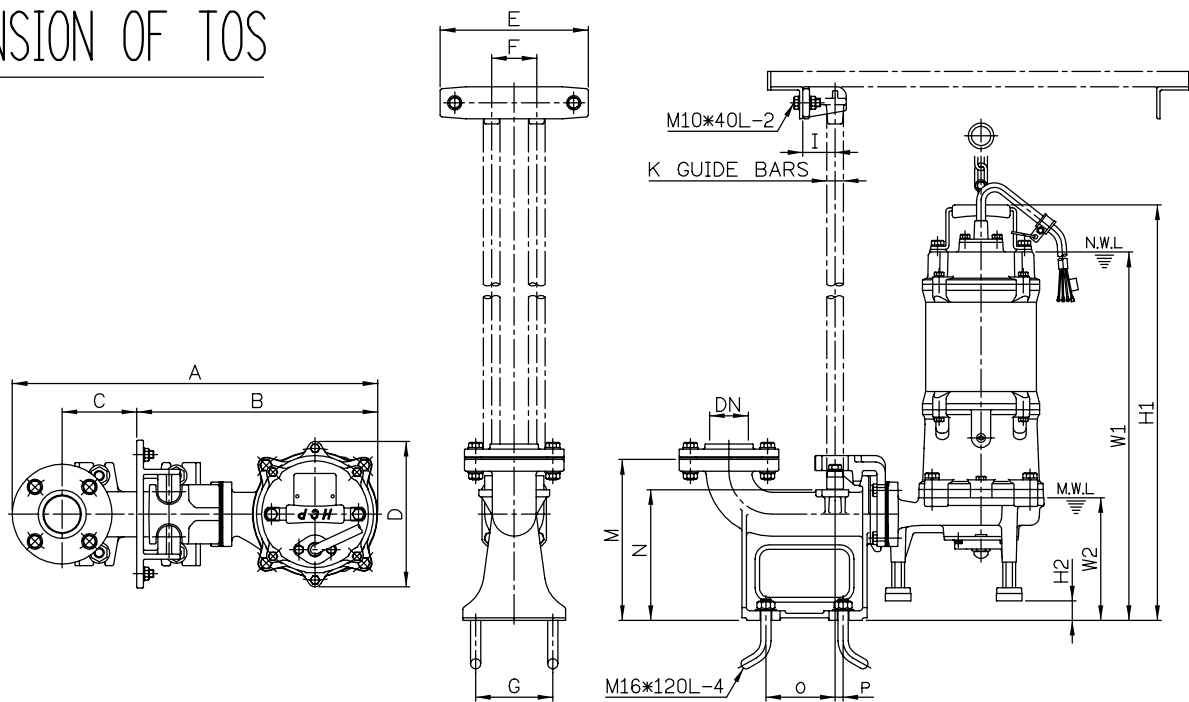
DIMENSION OF PUMP



Type	DN	A	B	C	D	E	F	G
50GF22.2	50	393	316	226	226	180	543	616
50GF23.7	50	393	316	226	226	180	543	616

N.W.L.: Normal water level
M.W.L.: Minimum water level

DIMENSION OF TOS



Type	DN	A	B	C	D	E	F	G	I	K	M	N	O	P	W1	W2	H1	H2
50GF22.2	50	569	375	116	226	230	70	120	50	1 1/4"	250	203	108	13	575	193	648	33
50GF23.7	50	569	375	116	226	230	70	120	50	1 1/4"	250	203	108	13	575	193	648	33