

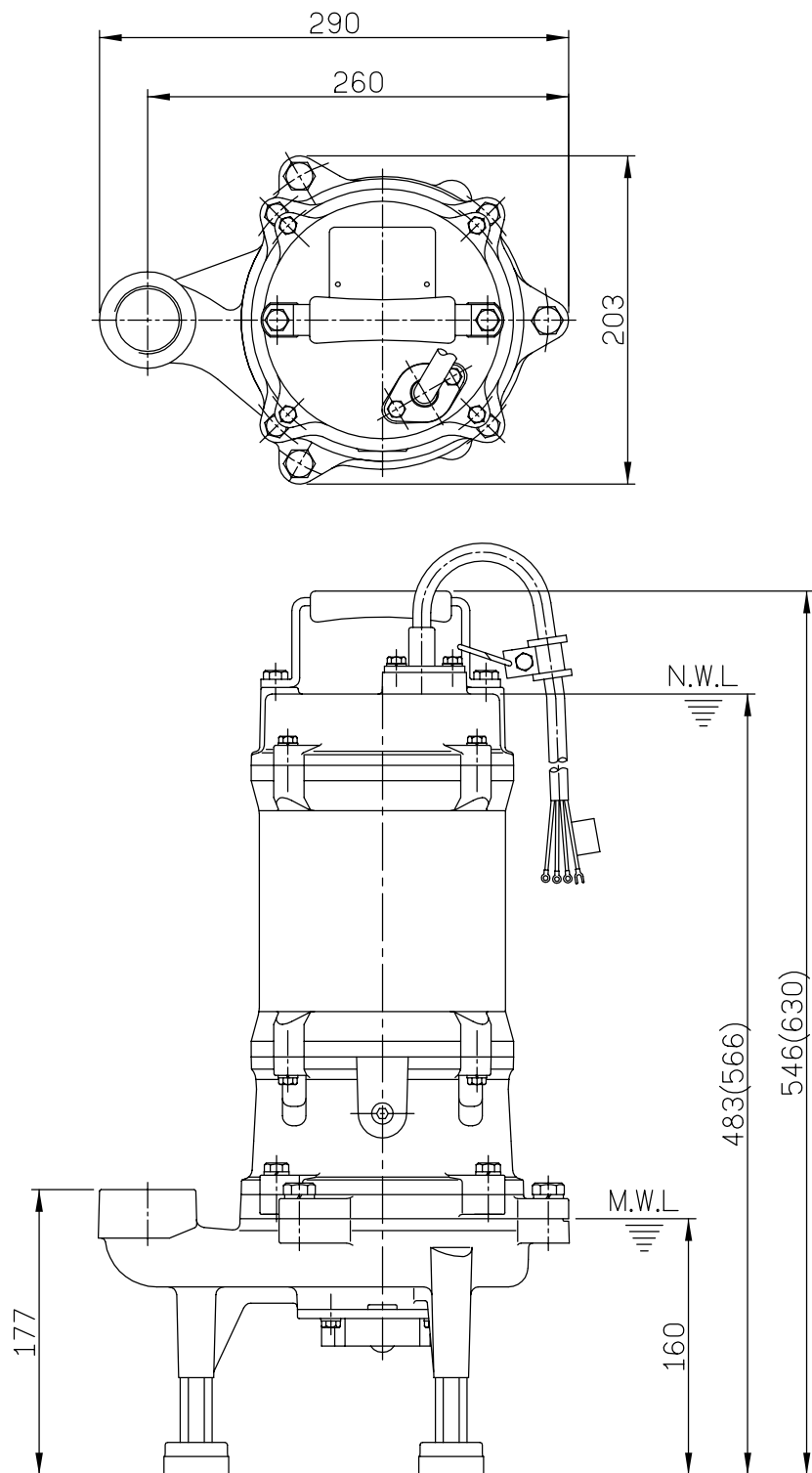
HCP PUMP

DIMENSIONAL DRAWING

No:DE-32GF22.2

Date:2003-07

MODEL:32GF21.5;32GF22.2



N.W.L: Normal water level
M.W.L: Minimun water level
Remark: ()Dimensions in 1 \emptyset