

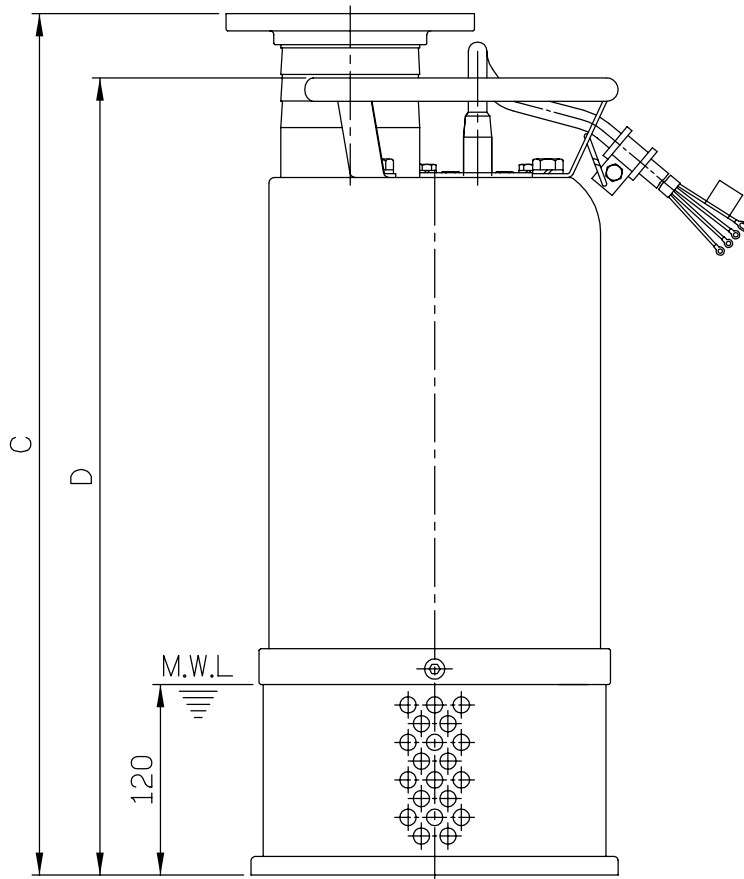
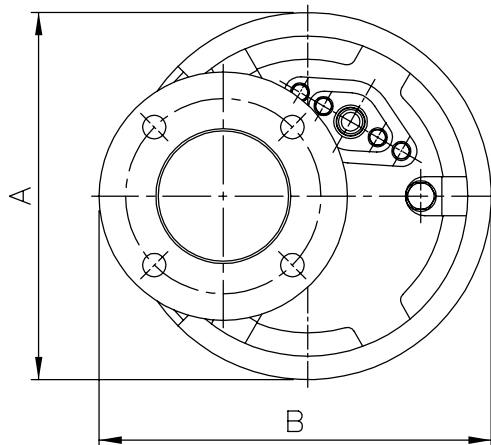
HCP PUMP

DIMENSIONAL DRAWING

No:DE-AS323

Date:2003-07

MODEL: AS-32A;AS-33A;AS-35



TYPE	A	B	C	D
AS-32A	238	252	536(616)	495(575)
AS-33A	238	252	536(616)	495(575)
AS-35	238	252	561	520

M.W.L: Minimun water level  
 Remark: ( )Dimensions in 1Ø