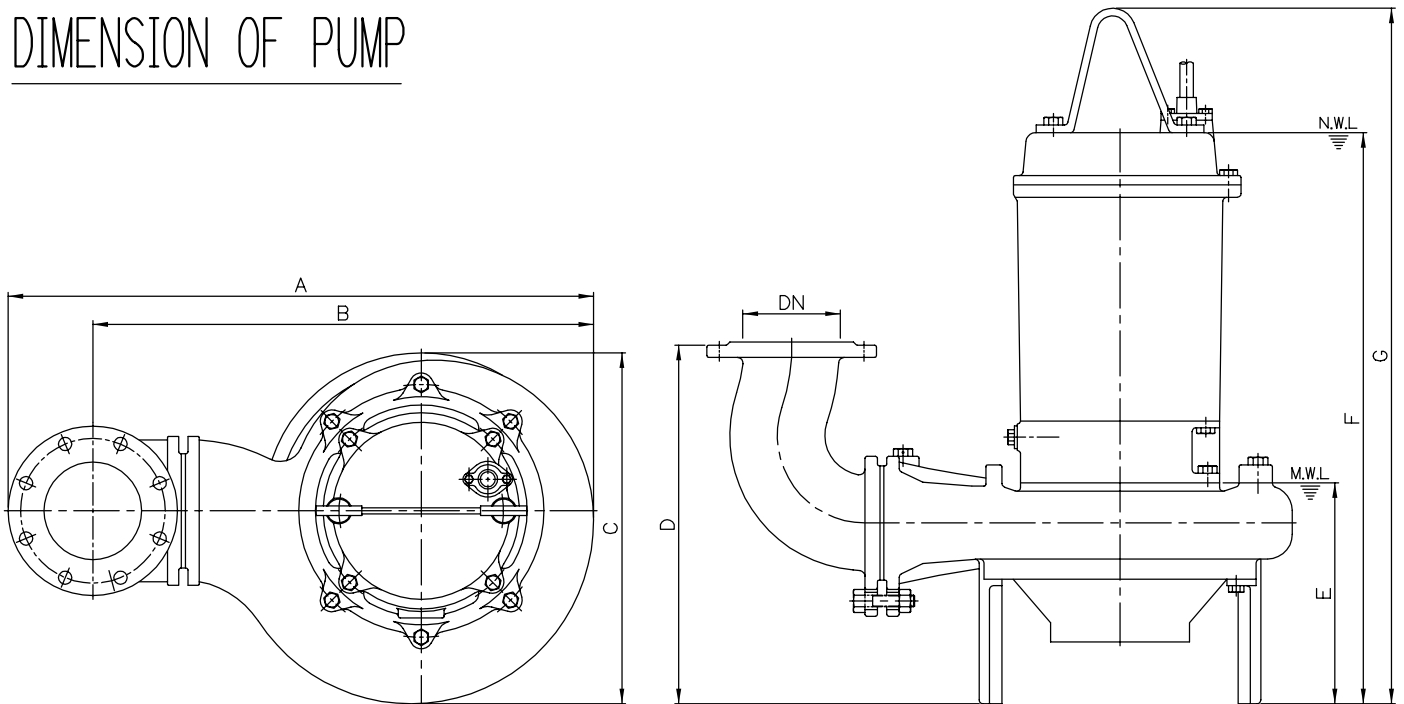


MODEL: AF-830;AF-840

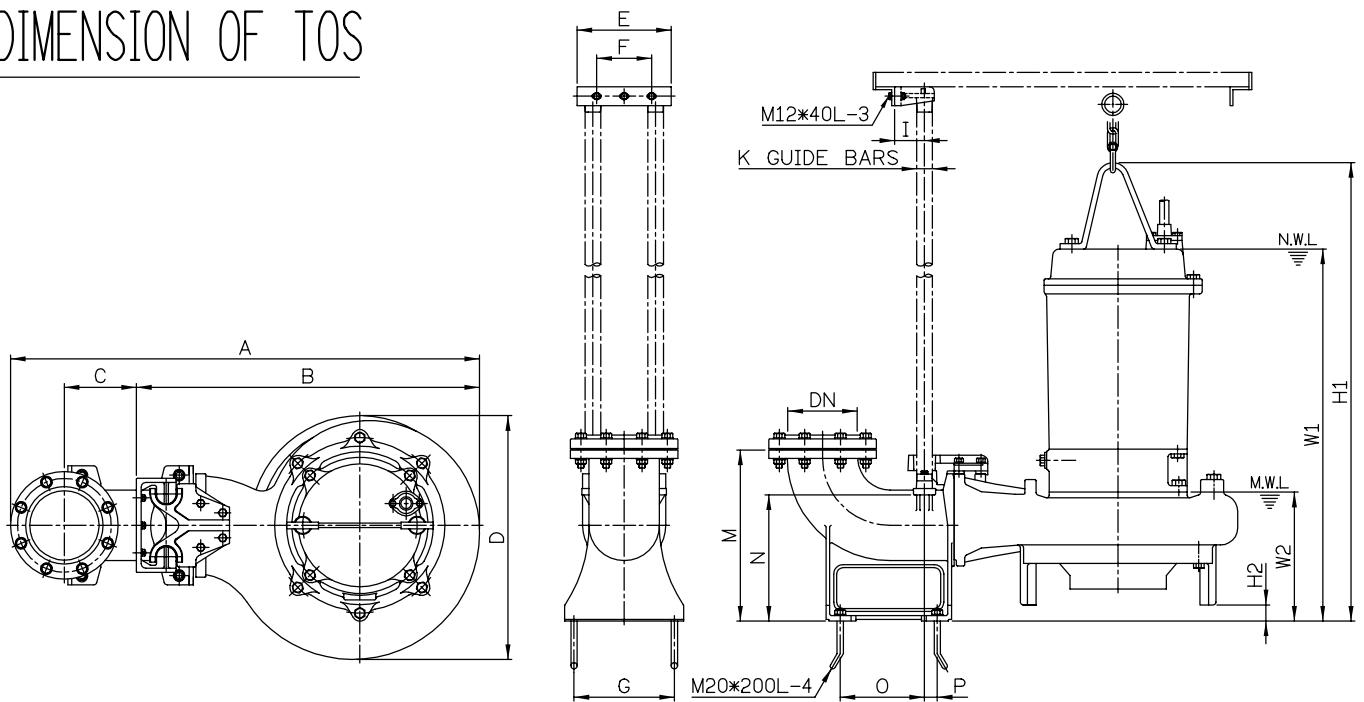
DIMENSION OF PUMP



Type	DN	A	B	C	D	E	F	G
AF-830	200	896	731	479	411	285	848	998
AF-840	200	932	767	512	415	285	951	1101

N.W.L.: Normal water level  
M.W.L.: Minimum water level

DIMENSION OF TOS



Type	DN	A	B	C	D	E	F	G	I	K	M	N	O	P	W1	W2	H1	H2
AF-830	200	1228	826	230	479	300	175	320	95	2"	545	423	296	41	858	285	1008	10
AF-840	200	1264	862	230	512	300	175	320	95	2"	545	423	296	41	961	285	1111	10