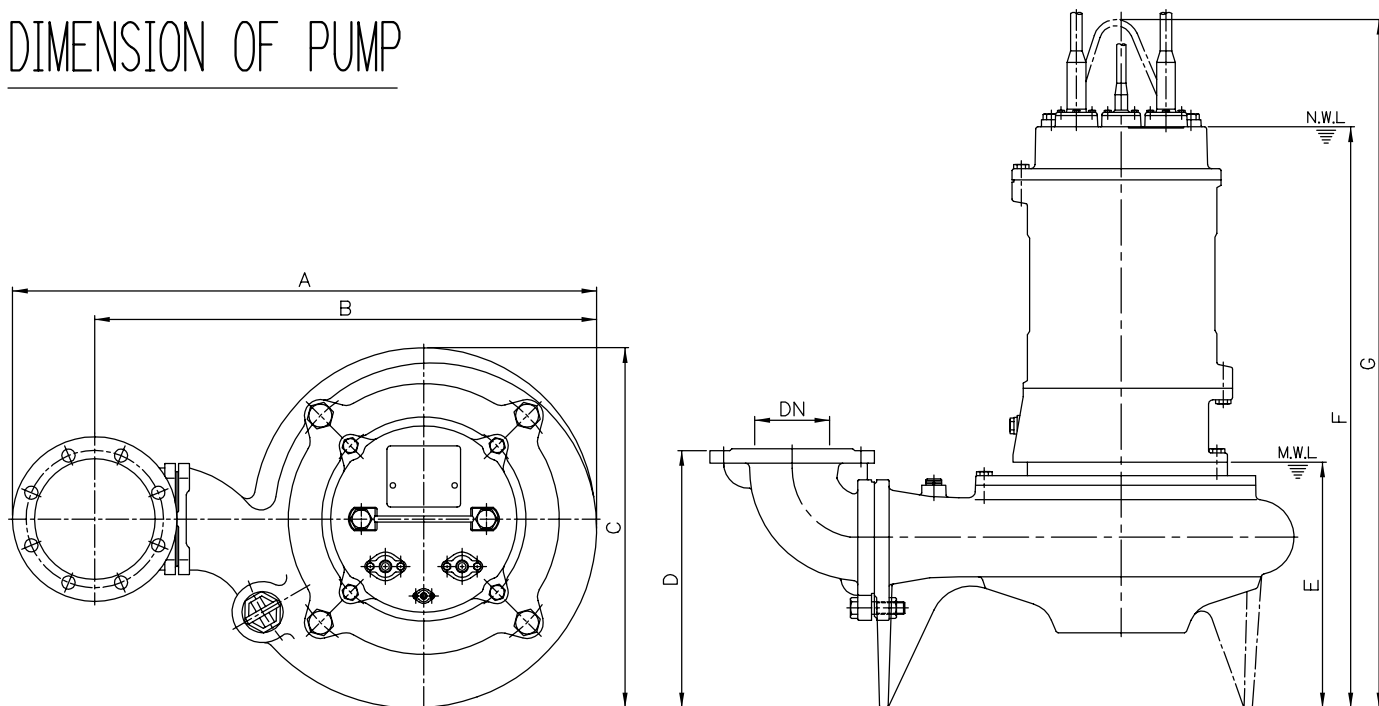


MODEL: AF-620(50Hz);AF-630

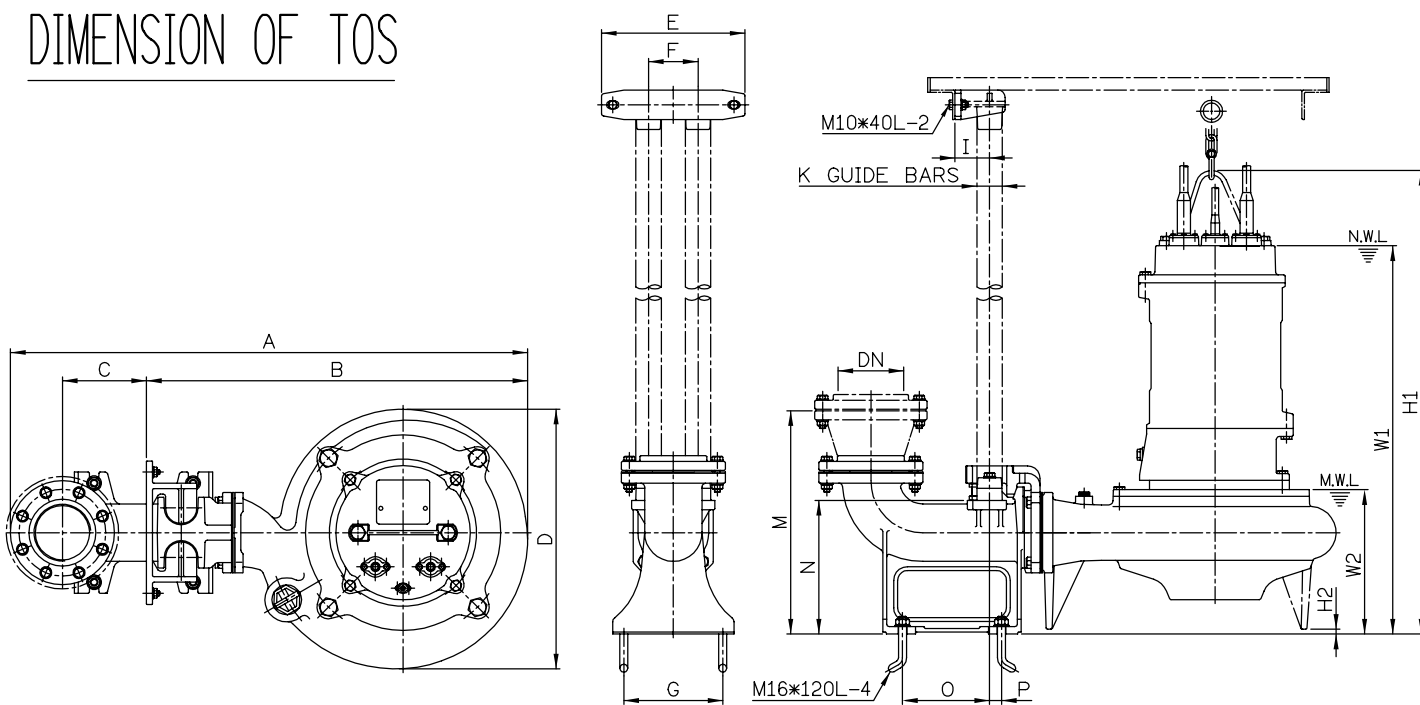
DIMENSION OF PUMP



Type	DN	A	B	C	D	E	F	G
AF-620	150	806	666	455	385	329	788	938
AF-630	150	850	710	497	398	332	871	1021

N.W.L.: Normal water level
M.W.L.: Minimum water level

DIMENSION OF TOS



Type	DN	A	B	C	D	E	F	G	I	K	M	N	O	P	W1	W2	H1	H2
AF-620	150	922	721	170	455	290	100	200	70	2"	325	270	176	24	798	329	948	10
AF-630	150	966	765	170	497	290	100	200	70	2"	325	270	176	40	881	332	1031	10