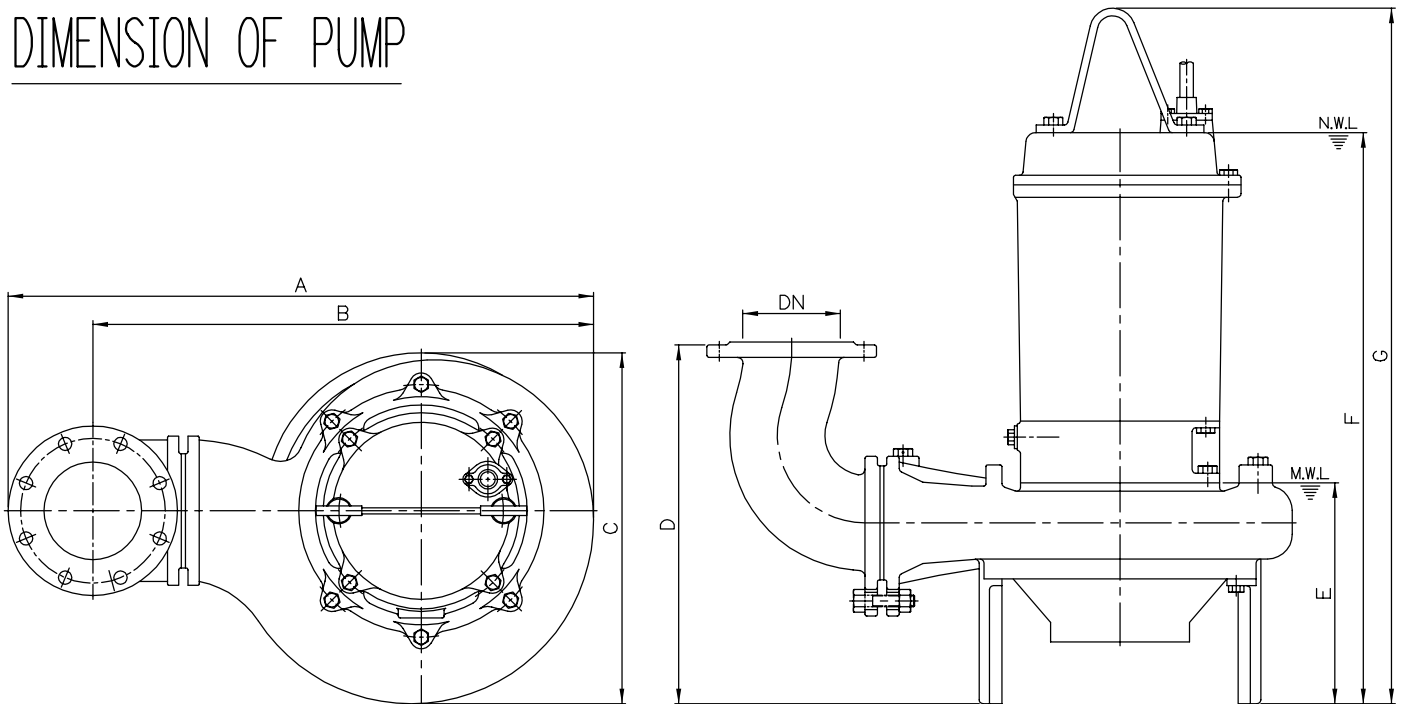


MODEL: AF-1030;AF-1230

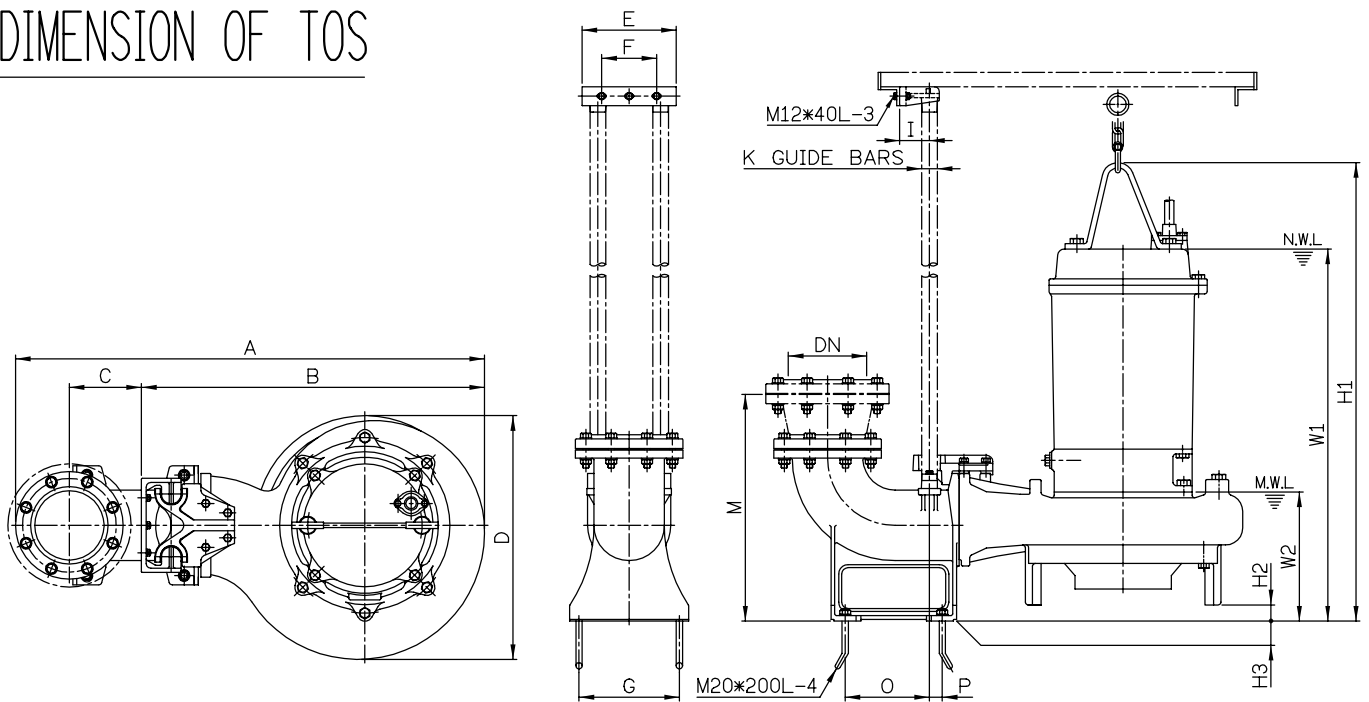
DIMENSION OF PUMP



Type	DN	A	B	C	D	E	F	G
AF-1030	250	993	593	541	634	400	942	1092
AF-1230	300	1100	877	588	671	450	984	1134

N.W.L: Normal water level
M.W.L: Minimum water level

DIMENSION OF TOS



Type	DN	A	B	C	D	E	F	G	I	K	M	O	P	W1	W2	H1	H2	H3
AF-1030	250	1388	948	230	541	300	175	360	95	2"	695	296	41	932	390	1082	-	20
AF-1230	300	1552	977	330	588	460	340	360	120	2 1/4"	800	385	45	994	460	1144	10	-