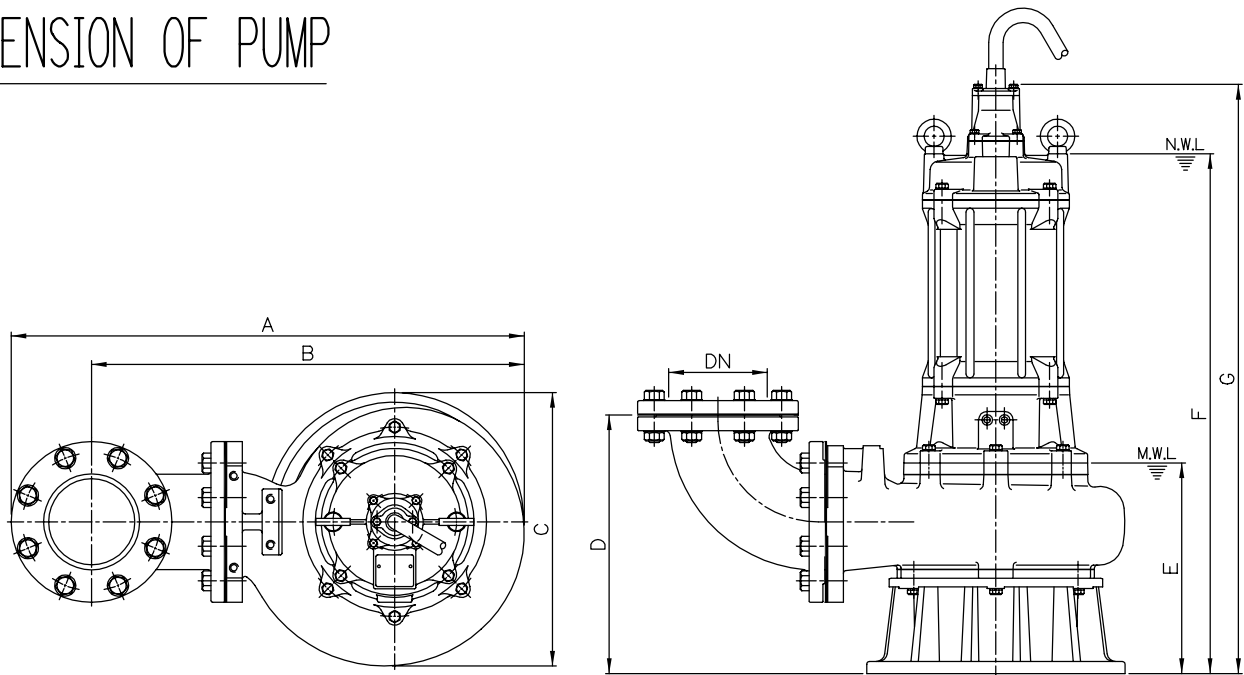


MODEL: AF-610;AF-615;AF-620(60Hz);AF-815;AF-820

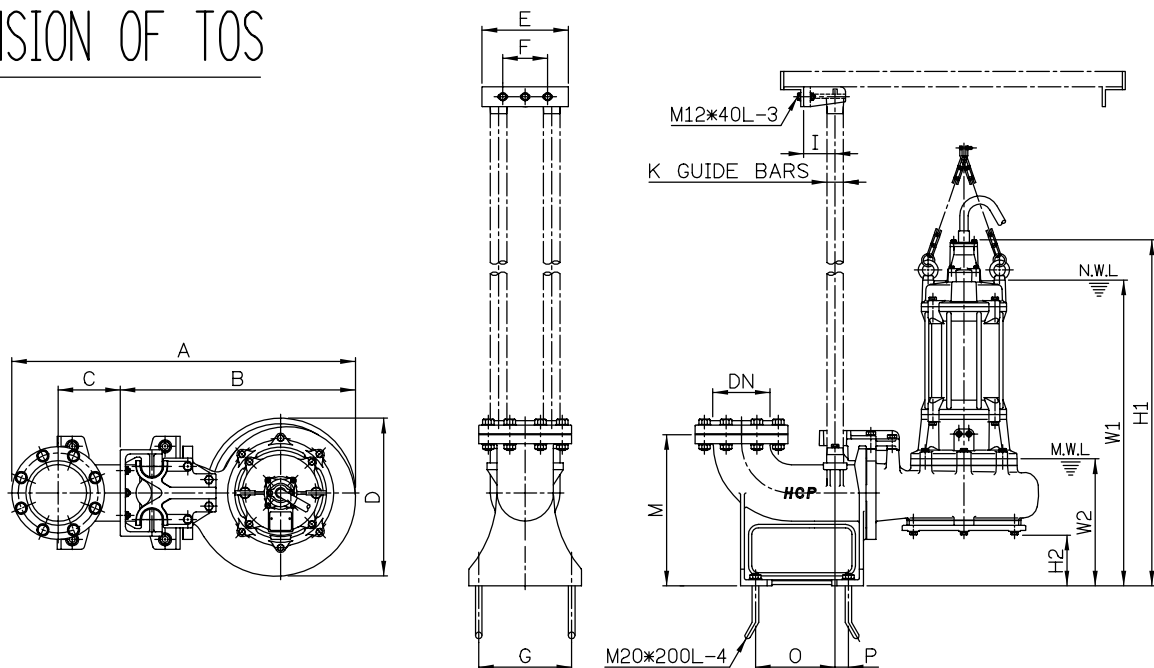
DIMENSION OF PUMP



Type	DN	A	B	C	D	E	F	G
AF-610	150	888	748	449	493	365	762	870
AF-615	150	895	755	477	450	367	905	1026
AF-620	150	895	755	477	450	367	905	1026
AF-815	200	1045	880	501	483	372	910	1032
AF-820	200	1045	880	501	483	372	910	1032

N.W.L: Normal water level
M.W.L: Minimum water level

DIMENSION OF TOS



Type	DN	A	B	C	D	E	F	G	I	K	M	O	P	W1	W2	H1	H2
AF-610	150	1035	708	187	449	260	135	280	95	2"	455	240	40	779	382	887	182
AF-615	150	1035	708	187	449	260	135	280	95	2"	455	240	40	922	384	1043	182
AF-620	150	1035	708	187	449	260	135	280	95	2"	455	240	40	922	384	1043	182
AF-815	200	1159	757	230	491	300	175	320	95	2"	545	269	41	948	410	1070	176
AF-820	200	1159	757	230	491	300	175	320	95	2"	545	269	41	948	410	1070	176

Note: When AF-610;AF-615;AF-620;AF-815;AF-820 used with TOS,the base foot needs to be dismantled.