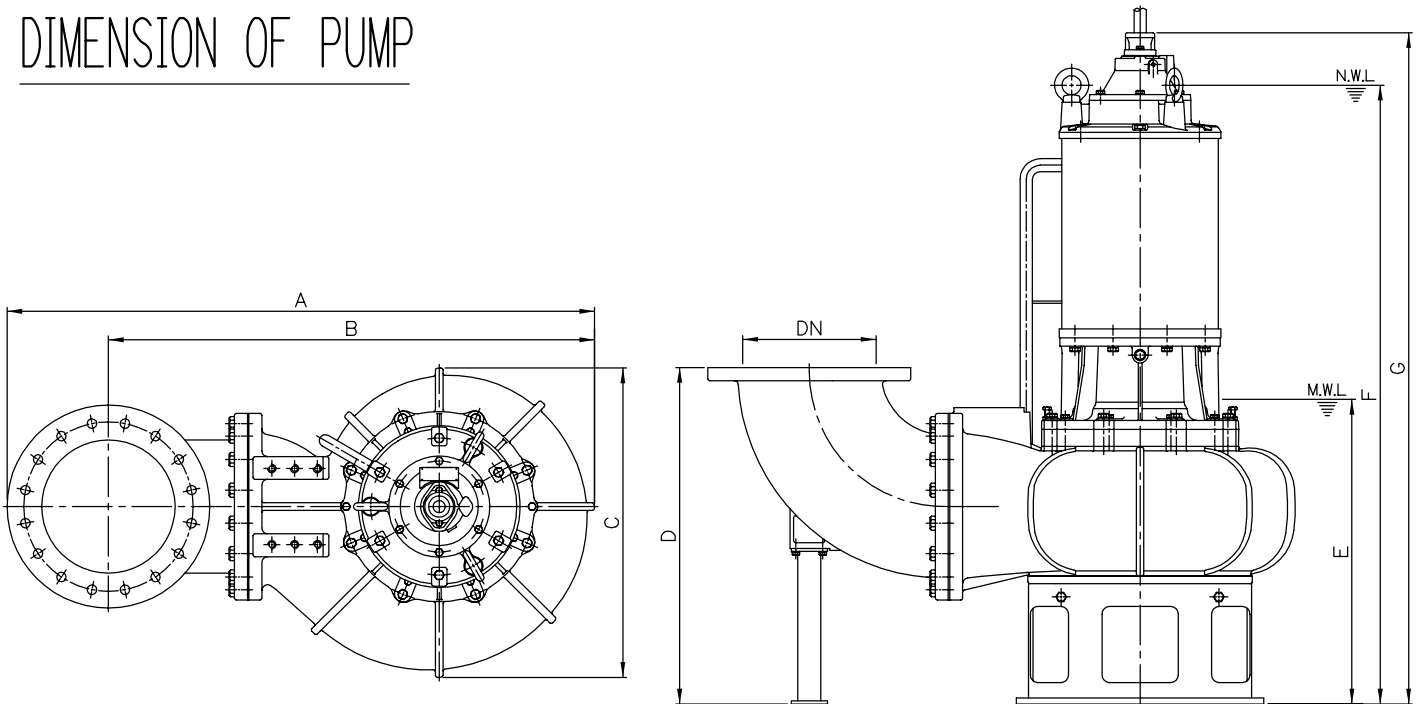


MODEL: AF-1450;AF-1460;AF-1650;AF-1660

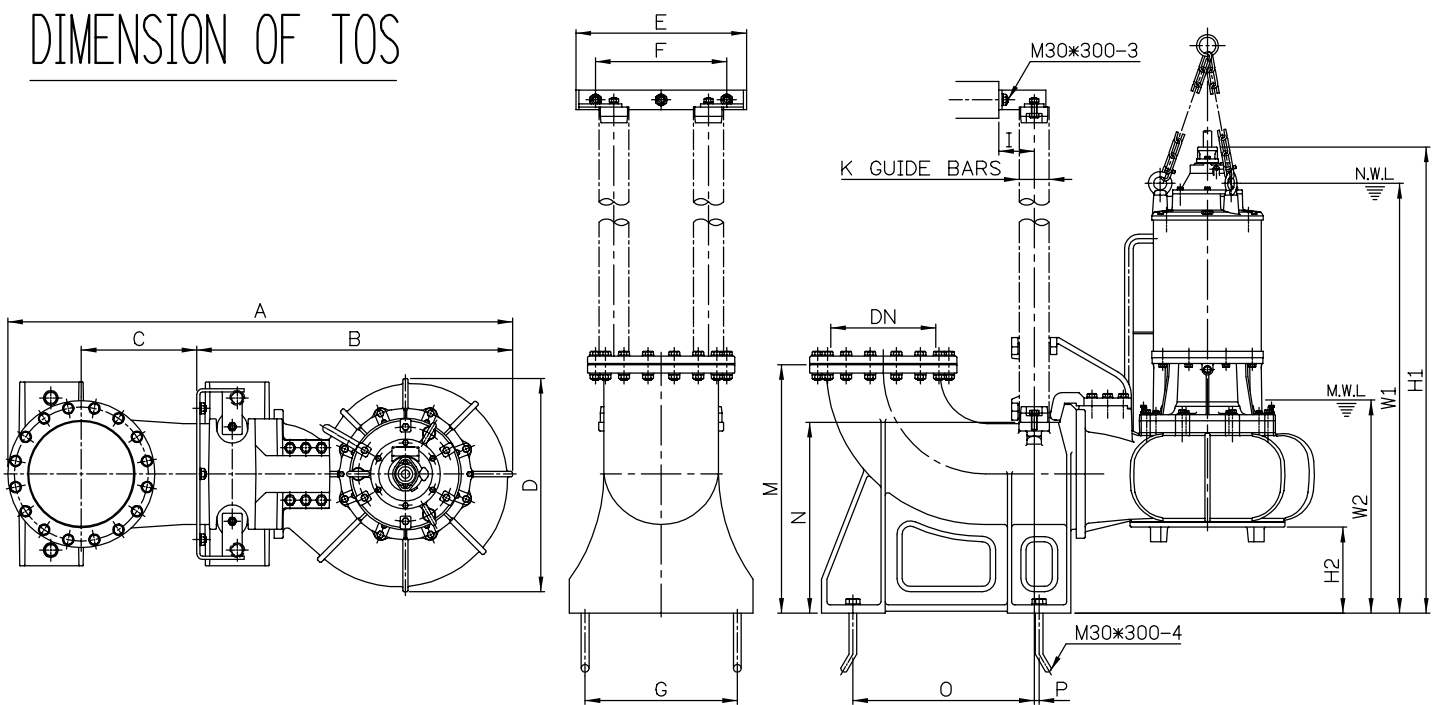
DIMENSION OF PUMP



Type	DN	A	B	C	D	E	F	G
AF-1450	350	1544	1277	813	884	800	-	1764
AF-1460	350	1544	1277	813	884	800	-	1764
AF-1650	400	1544	1277	813	884	800	-	1764
AF-1660	400	1544	1277	813	884	800	-	1764

N.W.L: Normal water level
M.W.L: Minimum water level

DIMENSION OF TOS



Type	DN	A	B	C	D	E	F	G	I	K	M	O	P	W1	W2	H1	H2
AF-1450	350	1923	1203	440	813	650	500	580	135	4"	950	691	19	1625	812	1775	372
AF-1460	350	1923	1203	440	813	650	500	580	135	4"	950	691	19	1625	812	1775	372
AF-1650	400	1923	1203	440	813	650	500	580	135	4"	950	691	19	1625	812	1775	372
AF-1660	400	1923	1203	440	813	650	500	580	135	4"	950	691	19	1625	812	1775	372

Note: When AF-1450;AF-1460;AF-1650;AF-1660 used with TOS,the base foot needs to be dismantled.