

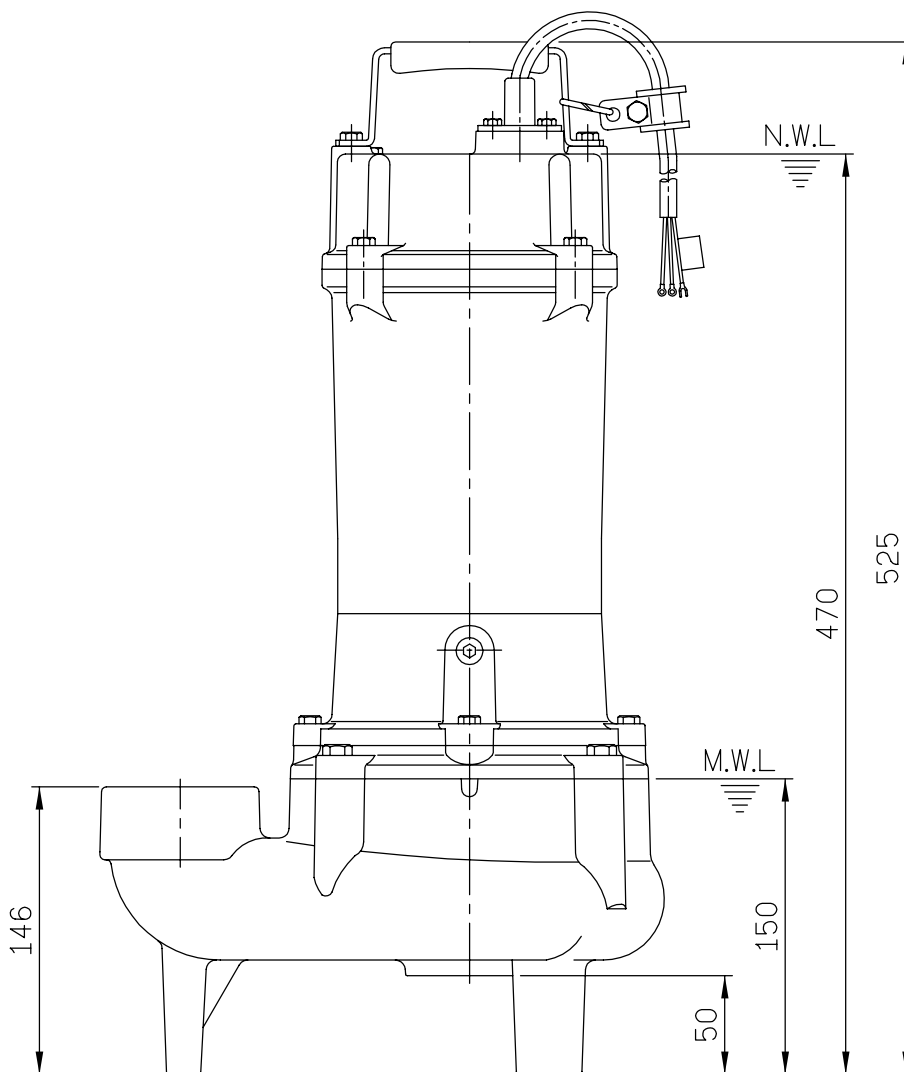
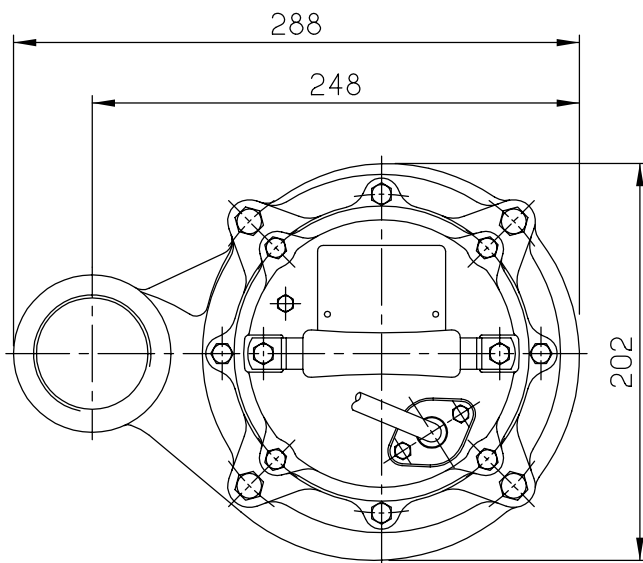
HCP PUMP

DIMENSIONAL DRAWING

No:DE-50AFU4.8

Date:2003-07

MODEL: 50AFU4.4;50AFU4.8



N.W.L: Normal water level
M.W.L: Minimun water level