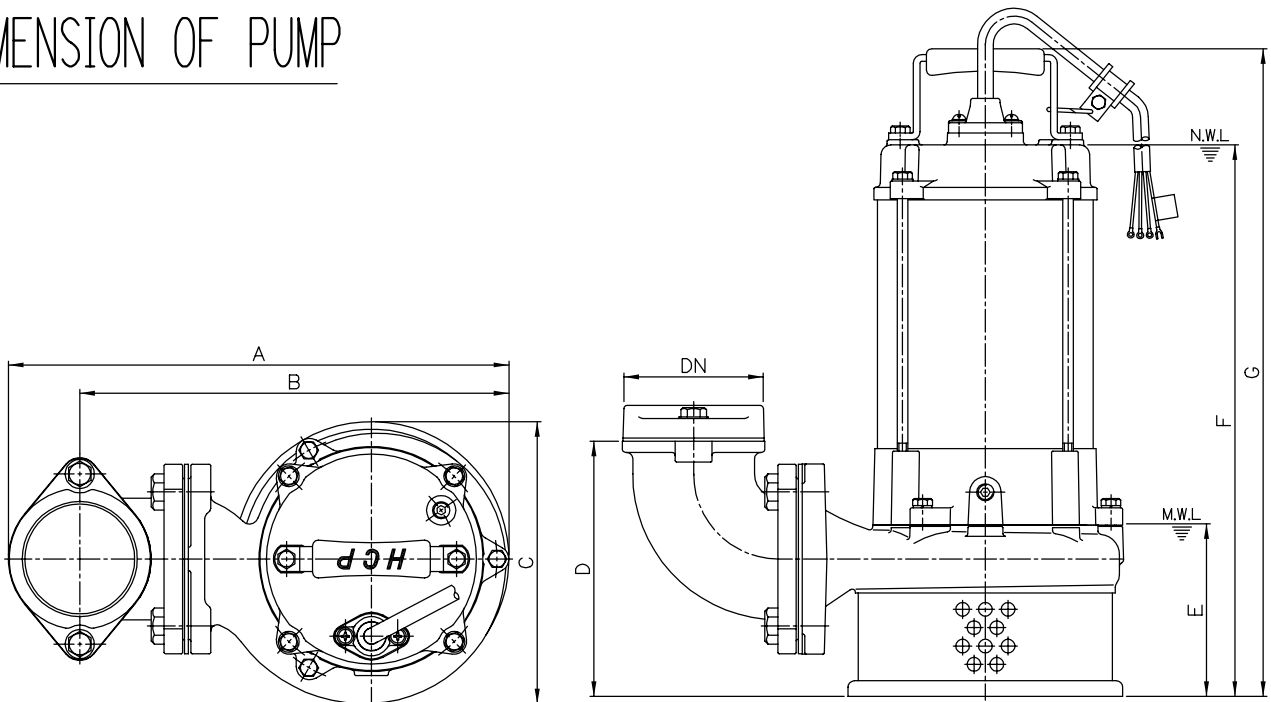


MODEL: A-32T;A-33;A-43

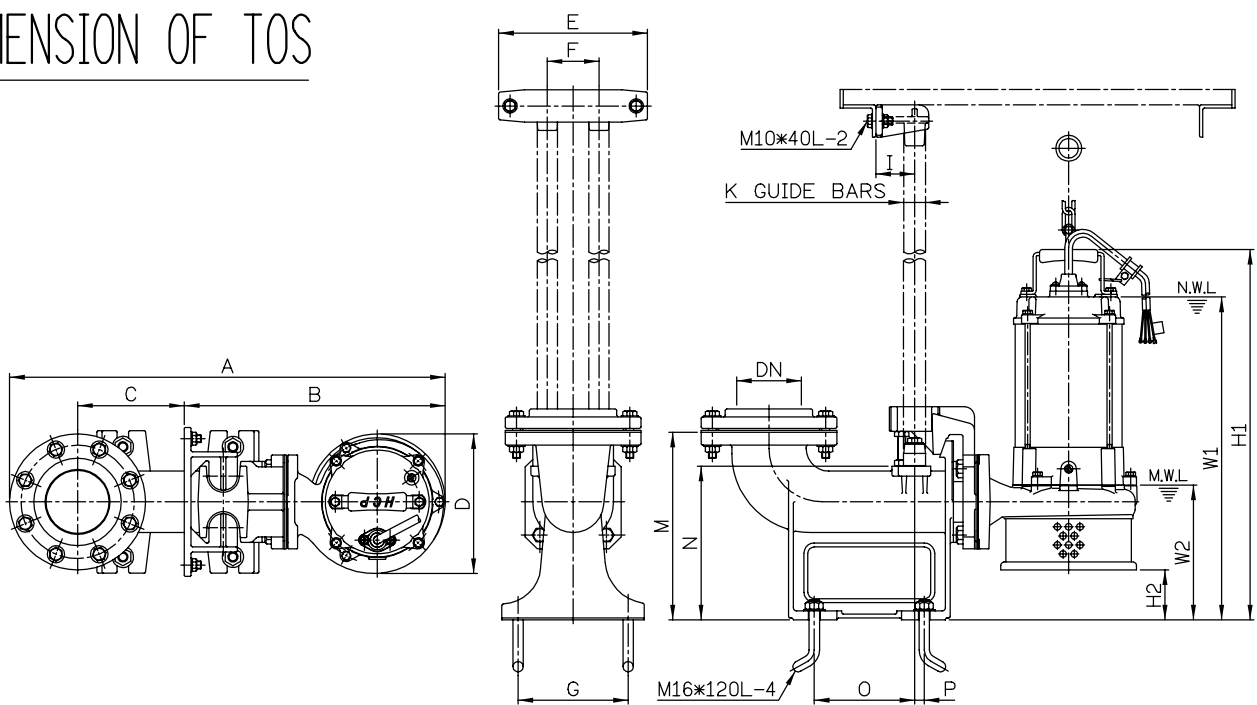
DIMENSION OF PUMP



Type	DN	A	B	C	D	E	F	G
A-32T	80	365	310	200	204	156	433	506
A-33	80	385	328	216	195	132	422(500)	495(575)
A-43	80	442	348	216	230	130	422(500)	495(575)

Remark: ()Dimensions in 1Ø
 N.W.L: Normal water level
 M.W.L: Minimum water level

DIMENSION OF TOS



Type	DN	A	B	C	D	E	F	G	I	K	M	N	O	P	W1	W2	H1	H2
A-32T	80	603	380	130	200	230	80	150	60	1,1/4"	285	233	135	15	495	218	568	62
A-33	80	621	398	130	216	230	80	150	60	1,1/4"	285	233	135	15	442(570)	117	566(646)	70
A-43	80	621	398	130	216	230	80	150	60	1,1/4"	285	233	135	15	442(570)	117	566(646)	70